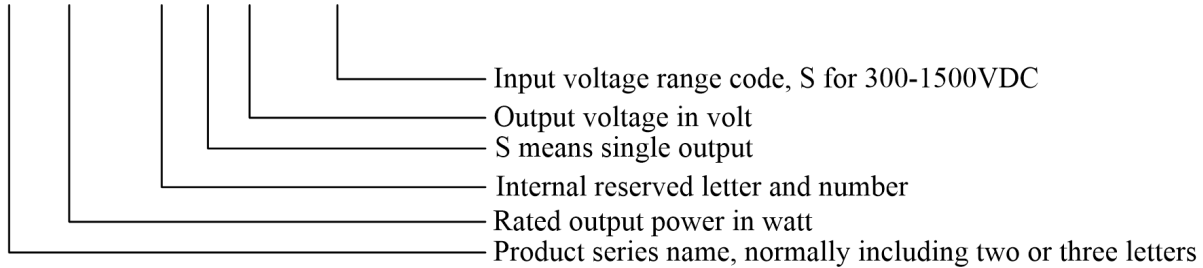


GH50-V2Sxx-S

DC-DC Power Supply Module

Ultra wide input, isolated single output

GH xx - V2 S xx - S



Product Characteristics

- Ultra wide input voltage range, 300-1500VDC
- High reliability, industrial grade
- Input and output isolation, 4000VDC
- Applications: photovoltaic power station, energy storage system, other high voltage input industrial equipment
- Input protection: UVP, reversed polarity protection
- Output protection: OCP, SCP
- No minimum load requirement

Model Selection Table

Model	Dimensions (L*W*H)	Rated power	Rated output voltage/current		Typical efficiency ($V_{in}=1000VDC$)
			V_o	I_o	
GH50-V2S12-S	134*66*40mm	50W	12V	4170mA	80%
GH50-V2S15-S			15V	3330mA	81%
GH50-V2S24-S			24V	2080mA	81%
GH50-V2S28-S			28V	1780mA	82%
GH50-V2S32-S			32V	1560mA	82%

Input Characteristics

Item	Test Condition / Description	MIN	TYP	MAX
Input voltage range	DC input	300VDC	1000VDC	1500VDC
Input current	Vin = 1000VDC, with output full load	-	130mA	-
Surge current	Vin = 300VDC	-	100A	-
Input UVP	Input under voltage protection trigger point	-	230VDC	-
	Input under voltage protection released point	-	260VDC	-
Input reversed polarity protection	If input polarity is reversed, the PSM should not be damaged.	Available		
External input fuse	3A/1500VDC external input fuse	Required		

Output Characteristics

Item	Test Condition / Description	MIN	TYP	MAX
Voltage accuracy		-	±2%	-
Line regulation	100%Io	-	±1%	-
Load regulation	10%-100%Io	-	±1%	-
Ripple and noise*1	20MHz bandwidth (Peak-peak value)	Vo = 12-15VDC	100mV	200mV
		Vo = 24-32VDC	200mV	250mV
OCP	Output over current protection	≥110%Io, Self recovery		
SCP*2	Output short circuit protection	Self recovery		
Minimum load		0	-	-
Start-up delay time		-	15s	-
Hold-up time	Vin = 1000VDC, 100%Io	-	10ms	-
Hot plug		Prohibited		
Paralleled working		Prohibited		

Remark *1: Oscilloscope probe should be connected with the paralleled combination of a 10uF high frequency low resistance electrolytic capacitor and a 0.1uF ceramic capacitor.

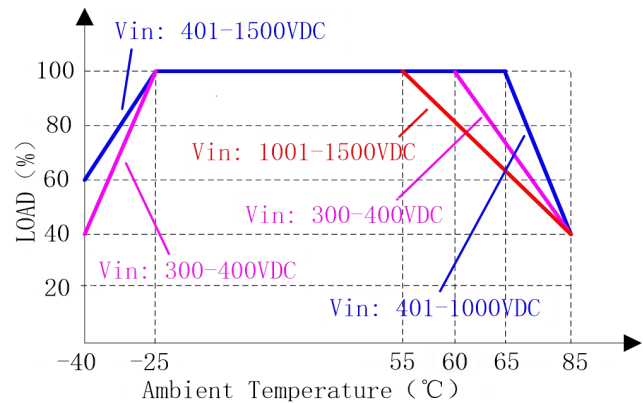
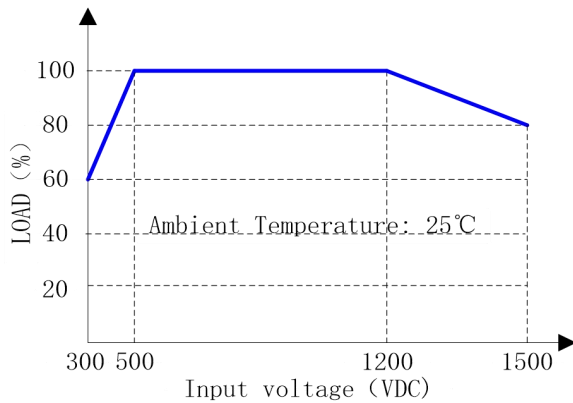
Remark *2: If input voltage is higher than 1200VDC, short circuit time shall be less than 3 seconds, otherwise PSM may be damaged.

General Characteristics

Item	Test Condition / Description	MIN	TYP	MAX
Working temperature		-40℃	-	+85℃
Storage temperature		-40℃	-	+105℃
Storage humidity		-	-	95%RH
Switching frequency		-	65kHz	-

Isolation voltage	Input to output, 60s, $\leq 5\text{mA}$	4000VDC	-	-
MTBF	MIL-HDBK-217F@25°C	215000h	-	-
Weight		-	450g	-
Cooling method		Natural air cooling		

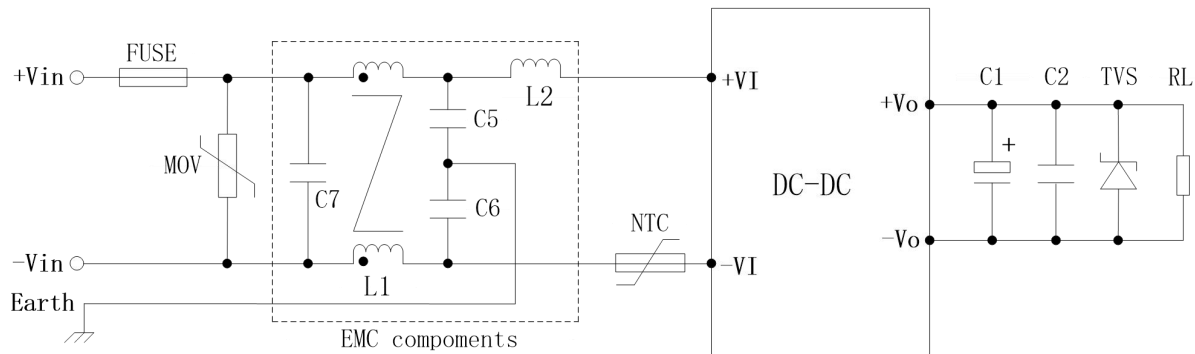
Derating Curves



Comment: Both temperature derating and input voltage derating should be considered.

Application Notes

1. Application circuit recommendation



2. Input part recommendation

Component	Function and description	Recommendation
FUSE	Cut off fault circuit	Required, 3A/1500VDC, time lag type is preferred
MOV	Absorb surge energy	Varistor, two 112KD20 in series
NTC	Limit the surge current	Negative temperature coefficient thermistor, 5D-20
C7	EMC component, X-CAP	Four 0.33uF safety X1 capacitors in series
L1	EMC component	Common mode inductor, $>10\text{mH}$
L2	EMC component	Differential mode inductor, $330\mu\text{H}$
C5, C6	EMC component	Three 1nF safety Y1 capacitors in series

3. Output part recommendation

Output voltage	C1	C2	TVS	RL
12V	220 μ F/25V	1 μ F/50V	1.5KE18CA	User load
15V	220 μ F/25V	1 μ F/50V	1.5KE20CA	User load
24V	100 μ F/35V	1 μ F/50V	1.5KE30CA	User load
28V	100 μ F/50V	1 μ F/50V	1.5KE36CA	User load
32V	100 μ F/50V	1 μ F/50V	1.5KE39CA	User load

Remarks:

- a. C1: Output filter electrolytic capacitor, high frequency low resistance electrolytic capacitor is recommended.
- b. C2: Ceramic capacitor to suppress high frequency noise.
- c. TVS: Transient suppression diode to protect post-stage circuit (user load).

Notes:

- If not specified, the test condition is ambient temperature 25 $^{\circ}$ C , humidity < 75%, input voltage 1000VDC and output rated load.
- All parameters listed in the data sheet are tested according to the company's enterprise standards.
- Guangzhou Guantu Electronic Technology Co., Ltd. has the right of final interpretation of the copyright and product.
- This version is 2023.06 A1. The specification may be changed without notice.
- GTL POWER can provide product customization service, please contact us or visit <http://www.gtl-power.com> and provide more detail technical requirements.